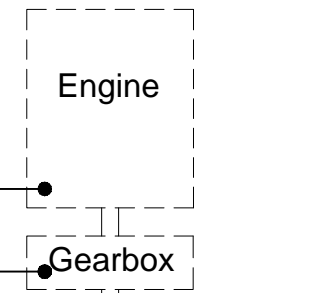
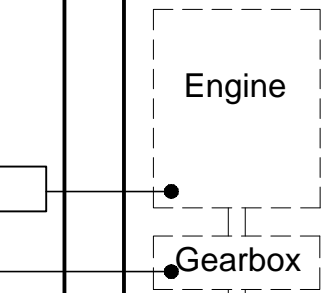
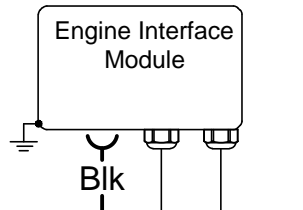
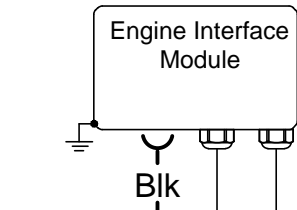


TO CONTROL STATION 1

SCP to JIM Port	
Part No	Length
204375	8 Meters
204376	12 Meters
204377	18 Meters

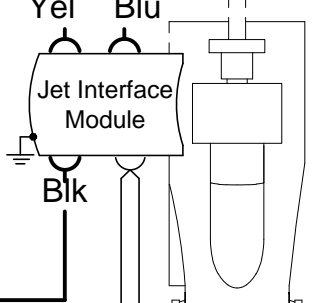
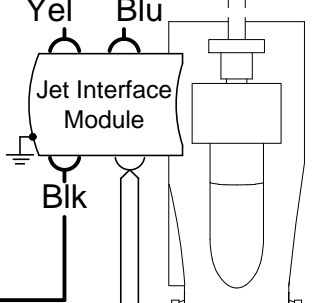
SCP to JIM Starboard	
Part No	Length
204381	8 Meters
204382	12 Meters
204383	18 Meters

JIM to JIM	
Part No	Length
204365	3 Meters
204366	5 Meters
204367	10 Meters
207649	15 Meters



JIM Port to EIM Port	
Part No	Length
204369	3 Meters
204370	5 Meters
204371	9 Meters
212417	12 Meters

JIM Stbd to EIM Stbd	
Part No	Length
204372	3 Meters
204373	5 Meters
204374	9 Meters
212418	12 Meters

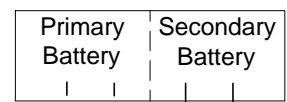


Junction Box

Junction Box

PORT JET

STBD JET



Power Supply

Refer to Power Supply Schema
Drawing 204937 for Details

LEGEND

FEMALE CONNECTOR

MALE CONNECTOR

PLUG IN ELECTRIC CABLE CONNECTION

HARD WIRED TERMINATION

CABLES & EQUIPMENT SUPPLIED BY SHIPYARD

CABLE COLOUR LEGEND

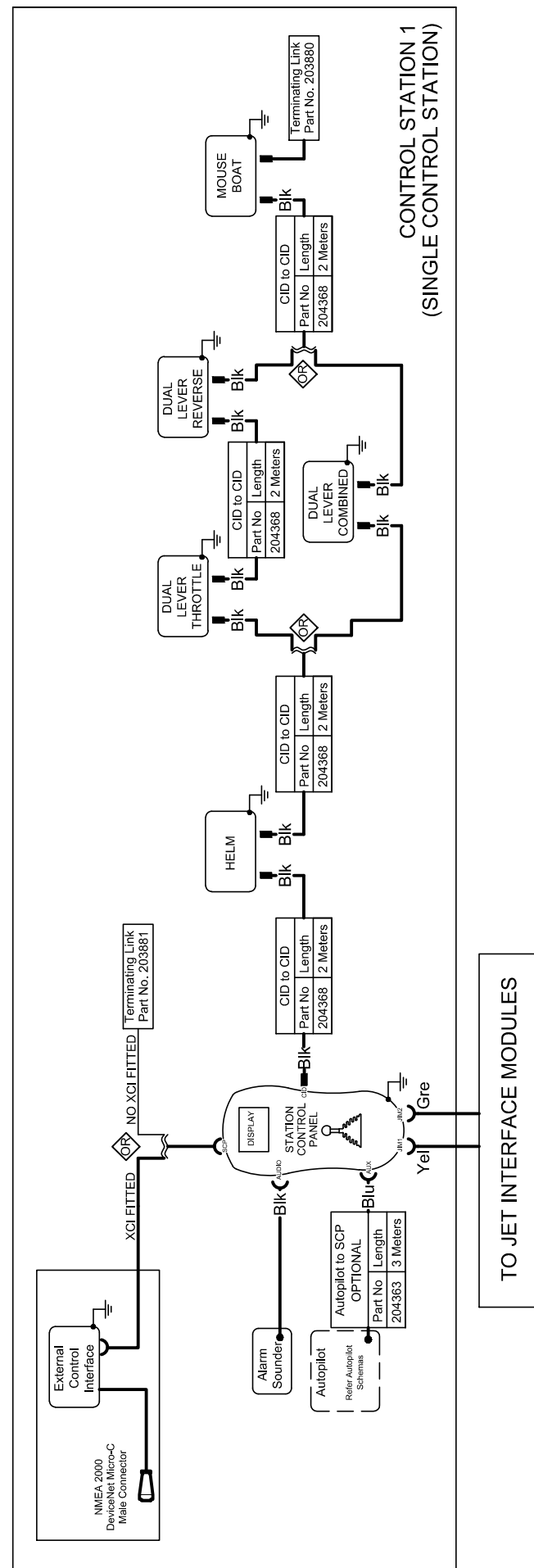
Yel	YELLOW
Gre	GREEN
Blk	BLACK
Blu	BLUE

- NOTES**
- ALL MODULES ARE TO BE EARTHED TO THE SHIPS MAIN BONDING SYSTEM
 - ITEMS SHOWN IN DASHED LINES ARE NOT SUPPLIED BY C.W.F.HAMILTON AS PART OF THIS CONTRACT
 - REFER TO DRAWING CTWIR11000 FOR CABLE DETAILS
 - SUPPLIED WITH EIM 4 METERS 10C18AWG 11.5MM OD MARINE CABLE. REFER TO DRAWING CTWIR11002
- * GEARBOX OPTIONAL

HamiltonJet

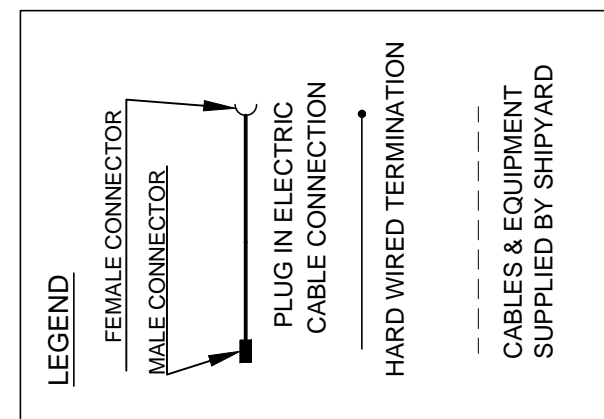
This print is provided on a restricted basis and is not to be used in any way detrimental to the interests of C. W. F. Hamilton and Co. Ltd

CHANGE SUMMARY - REFER TO E.C.N. FOR DETAILS				MANUFACTURING INFORMATION		DRAWING INFORMATION	
REVISION: F	ECN: 23373	SHT 1-CABLE(JIM TO EIM) 207942 &207943 REMOVED SHEET 1-CABLE(JIM TO EIM) 212417 & 212418 ADDED		MATERIAL:		blueARROW	
DESIGN CHECK: A.P	07.11.14	SIGN:	<i>[Signature]</i>	STANDARD:		TWIN JET CONFIGURATION	
DRAWING REVISION: J.S.R	07.11.14	SIGN:	<i>[Signature]</i>	MAT CERT REQ:	TRACEABILITY REQ:	JET / CONTROL TYPE blueARROW	
DOCUMENT CHECK: R.T.	07.11.14	SIGN:	<i>[Signature]</i>	FINISHED WEIGHT:		DRAWN TO HAMJET 085195	PROJECTION:
ORIGINAL DESIGN: F.K	20.02.06	SIGN:		GENERAL: HOLES: ANGULAR:		SCALE: NTS	SHEET SIZE: A3
				MACHINED SURFACE FINISH:		DWG No: 204614	REV: F



Yel	YELLOW
Gre	GREEN
Blk	BLACK
Blu	BLUE

NAME	No.	COLOUR
SHIELD	1	BARE
NET-S	2	RED
NET-C	3	BLACK
NET-H	4	WHITE
NET-L	5	BLUE



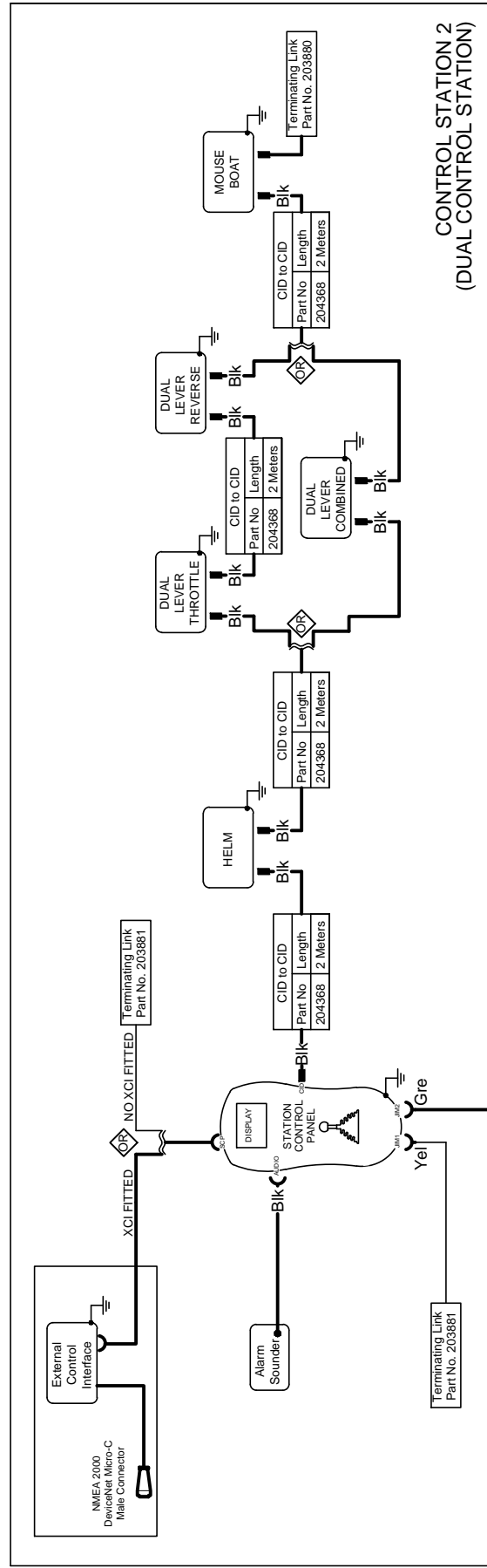
NOTES

- 1 ALL MODULES ARE TO BE EARTHED TO THE SHIPS MAIN BONDING SYSTEM
- 2 ITEMS SHOWN IN DASHED LINES ARE NOT SUPPLIED BY C.W.F.HAMILTON AS PART OF THIS CONTRACT
- 3 REFER TO DRAWING CTWIR11000 FOR CABLE DETAILS



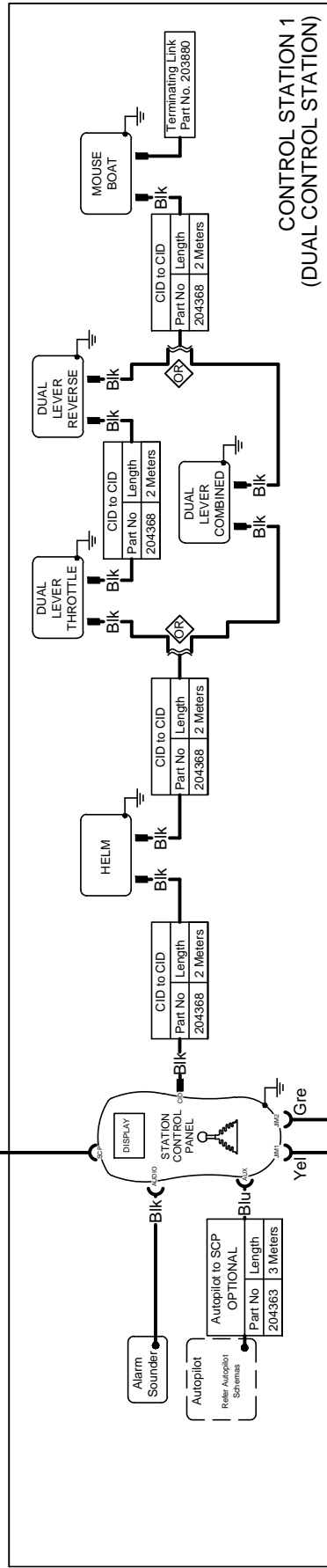
This print is provided on a restricted basis and is not to be used in any way detrimental to the interests of C. W. F. Hamilton and Co. Ltd

CHANGE SUMMARY - REFER TO E.C.N. FOR DETAILS			MANUFACTURING INFORMATION		DRAWING INFORMATION	
REVISION: ECN: SEE SHEET 1 FOR DETAILS			MATERIAL: STANDARD: MAT CERT REQ: TRACEABILITY REQ: FINISHED WEIGHT:		blueARROW TWIN JET CONFIGURATION SINGLE STATION	
DESIGN CHECK:		SIGN. <i>[Signature]</i>	ALL DIMENSIONS IN [mm] UNLESS OTHERWISE SPECIFIED		JET / CONTROL TYPE: blueARROW	
DRAWING REVISION:		SIGN.	REMOVE ALL SHARP EDGES AND BURRS		DRAWN TO HAMJET 085195	PROJECTION:
DOCUMENT CHECK:		SIGN. <i>[Signature]</i>	UNTOLERANCED DIMENSIONS & SURFACE FINISH GENERAL: HOLES: ANGULAR:		SCALE: NTS	SHEET SIZE: A3 Sht 2 of 4
ORIGINAL DESIGN:		SIGN.	MACHINED SURFACE FINISH:		DWG No: 204614	REV: F



CONTROL STATION 2
(DUAL CONTROL STATION)

Part No.	Length
204378	5 Meters
204379	8 Meters
204380	12 Meters
212205	18 Meters



CONTROL STATION 1
(DUAL CONTROL STATION)

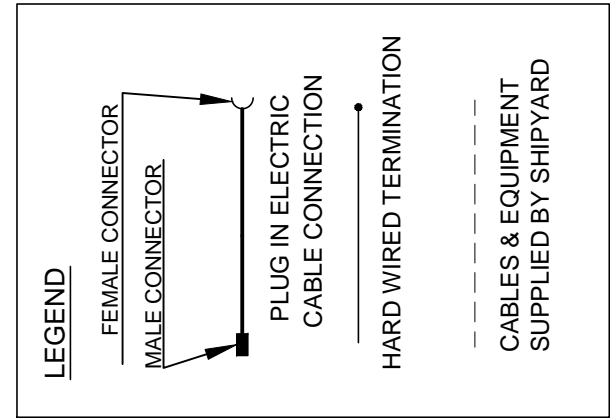
TO JET INTERFACE MODULES

CABLE COLOUR LEGEND	
Yel	YELLOW
Gre	GREEN
Blk	BLACK
Blu	BLUE

NMEA 2000 TERMINATION	
NAME	COLOUR
SHIELD	1 BARE
NET-S	2 RED
NET-C	3 BLACK
NET-H	4 WHITE
NET-L	5 BLUE

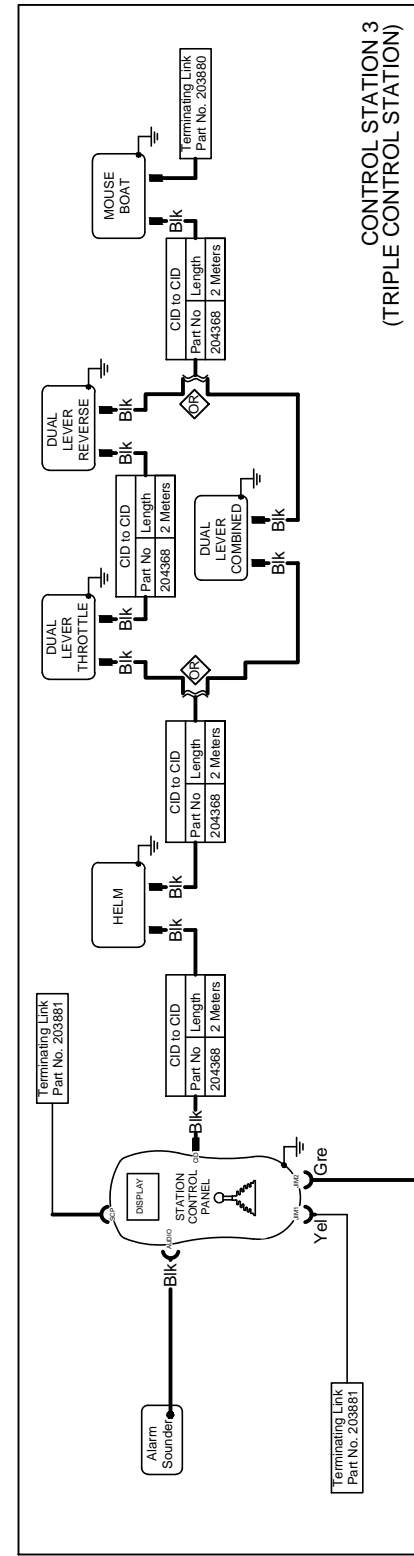
NOTES

- 1 ALL MODULES ARE TO BE EARTHED TO THE SHIPS MAIN BONDING SYSTEM
- 2 ITEMS SHOWN IN DASHED LINES ARE NOT SUPPLIED BY C.W.F.HAMILTON AS PART OF THIS CONTRACT
- 3 REFER TO DRAWING CTWR11000 FOR CABLE DETAILS



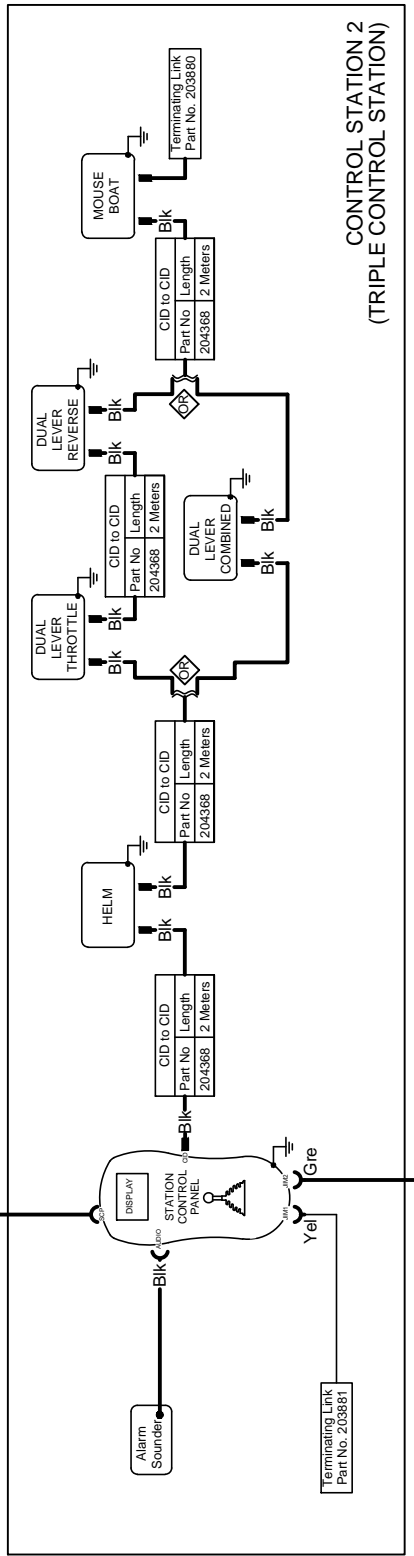
This print is provided on a restricted basis and is not to be used in any way detrimental to the interests of C. W. F. Hamilton and Co. Ltd

CHANGE SUMMARY - REFER TO E.C.N. FOR DETAILS			MANUFACTURING INFORMATION		DRAWING INFORMATION	
REVISION:	ECN:		MATERIAL:		blueARROW	
SEE SHEET 1 FOR DETAILS			STANDARD:		TWIN JET CONFIGURATION	
			MAT CERT REQ:	TRACEABILITY REQ:	DUAL STATION	
			FINISHED WEIGHT:		JET / CONTROL TYPE blueARROW	
DESIGN CHECK:		SIGN.	ALL DIMENSIONS IN [mm] UNLESS OTHERWISE SPECIFIED			DRAWN TO HAMJET 085195
DRAWING REVISION:		SIGN.	REMOVE ALL SHARP EDGES AND BURRS			PROJECTION:
DOCUMENT CHECK:		SIGN.	UNTOLERANCED DIMENSIONS & SURFACE FINISH			SCALE: NTS
ORIGINAL DESIGN:		SIGN.	GENERAL:	HOLES:	ANGULAR:	SHEET SIZE: A3 Sht 3 of 4
			MACHINED SURFACE FINISH:			DWG No: 204614
						REV: F



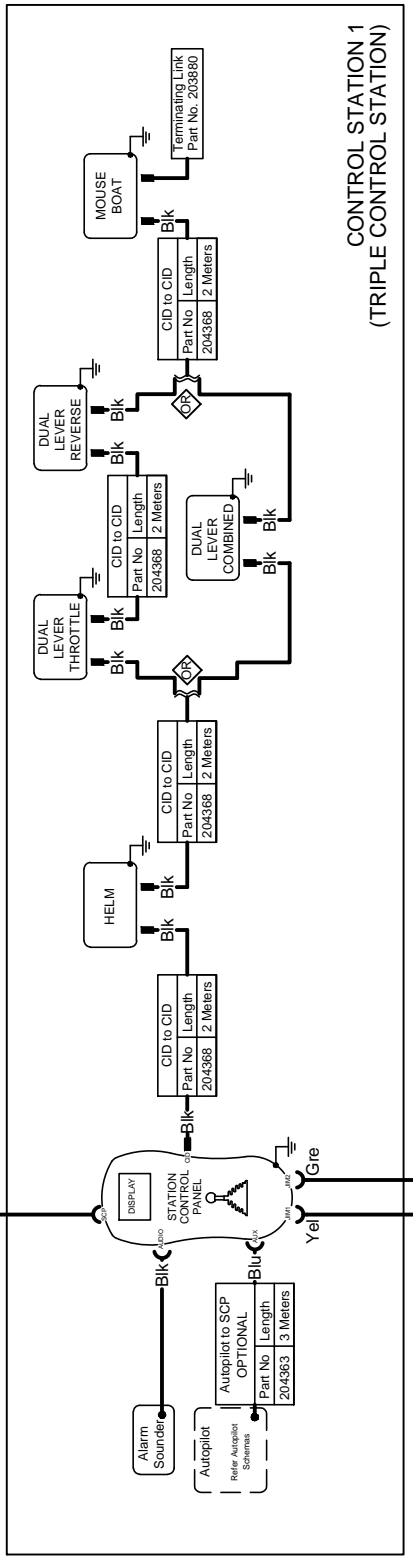
CONTROL STATION 3
(TRIPLE CONTROL STATION)

Part No	Length
204378	5 Meters
204379	8 Meters
204380	12 Meters



CONTROL STATION 2
(TRIPLE CONTROL STATION)

Part No	Length
204378	5 Meters
204379	8 Meters
204380	12 Meters



CONTROL STATION 1
(TRIPLE CONTROL STATION)

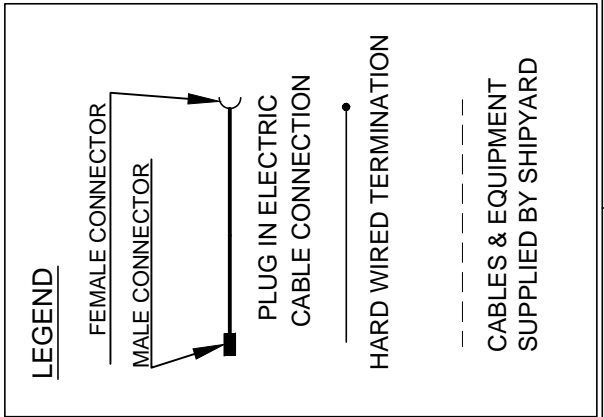
TO JET INTERFACE MODULES

CABLE COLOUR LEGEND	
Yel	YELLOW
Gre	GREEN
Bik	BLACK
Blu	BLUE

NMEA 2000 TERMINATION	
NAME	COLOUR
SHIELD	1 BARE
NET-S	2 RED
NET-C	3 BLACK
NET-H	4 WHITE
NET-L	5 BLUE

NOTES

- 1 ALL MODULES ARE TO BE EARTHED TO THE SHIPS MAIN BONDING SYSTEM
- 2 ITEMS SHOWN IN DASHED LINES ARE NOT SUPPLIED BY C.W.F.HAMILTON AS PART OF THIS CONTRACT
- 3 REFER TO DRAWING CTWIR11000 FOR CABLE DETAILS



This print is provided on a restricted basis and is not to be used in any way detrimental to the interests of C. W. F. Hamilton and Co. Ltd

CHANGE SUMMARY - REFER TO E.C.N. FOR DETAILS			MANUFACTURING INFORMATION		DRAWING INFORMATION	
REVISION:	ECN:		MATERIAL:		blueARROW	
SEE SHEET 1 FOR DETAILS			STANDARD:		TWIN JET CONFIGURATION	
			MAT CERT REQ:	TRACEABILITY REQ:	TRIPLE STATION	
			FINISHED WEIGHT:		JET / CONTROL TYPE blueARROW	
DESIGN CHECK:		SIGN. <i>[Signature]</i>	ALL DIMENSIONS IN [mm] UNLESS OTHERWISE SPECIFIED		DRAWN TO HAMJET 085195	
DRAWING REVISION:		SIGN.	REMOVE ALL SHARP EDGES AND BURRS		PROJECTION:	
DOCUMENT CHECK:		SIGN. <i>[Signature]</i>	UNTOLERANCED DIMENSIONS & SURFACE FINISH		SCALE: NTS SHEET SIZE: A3 Sht 4 of 4	
ORIGINAL DESIGN:		SIGN.	GENERAL: HOLES: ANGULAR:		DWG No: 204614 REV: F	
			MACHINED SURFACE FINISH:			